

ISA-PLAN PRECISION POWER SHUNT RESISTOR

RUG-Z

Load Capacity (permanent)	250W*1 (on heat sink)
Single Pulse Power load (R<10mΩ)	50J (tp<10ms)
Max.Current(Permanent)	200A (Pulse 500A*2)
Standard Resistance	1m, 10m, 100m
Tolerance	±0.1%
Temp. Coefficient (20~60°C)	±1ppm/°C
Operating Temp.	-55°C~+110°C
Thermal EMF (0~100°C)	-1μV/°C MAX
Thermal Resistance to Copper Base Plate	0.1°C/W
Dielectric Withstanding Voltage	AC500V 1min.
Insulation Resistance	10GΩ MIN
Load Life	±0.2% (2000Hr)
Inductance (R<10mΩ)	<10nH

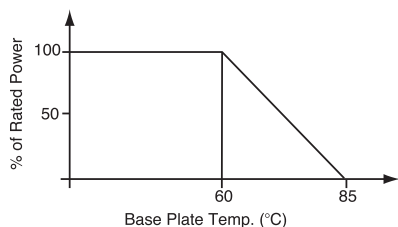


Weight : 260g

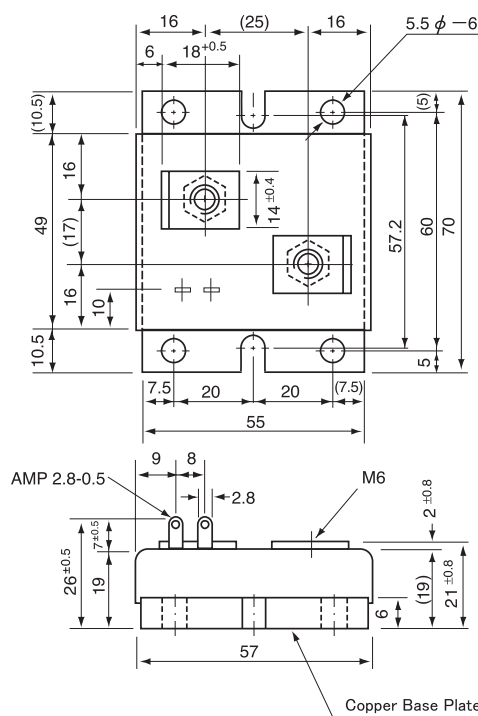
The real is marked with laser.(picture: ink print)

*1 Restriction on Temp. of Resistance Element : +125°C MAX **CAUTION**
 *2 Average power : < 250W

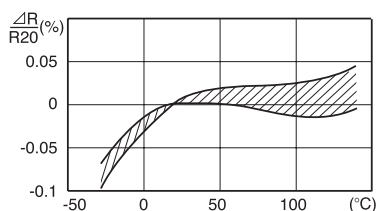
Ambient Temp. Derating Curve



Dimensions (mm)



Resistance change versus Temp.



How to order

RUG-Z 1mΩ ±0.1% ±1ppm/°C
 Type Resistance Tolerance Temp.Coefficient

Standard Resistance (Stock)

- RUG-Z 1mΩ ±0.1% T.C. ±1ppm/°C
- RUG-Z 10mΩ ±0.1% T.C. ±1ppm/°C
- RUG-Z 100mΩ ±0.1% T.C. ±1ppm/°C



PCN Corporation

Sagamihara Business Office

4-3-17 Sagamihara, Chuo-ku, Sagamihara-shi, Kanagawa-Pref., JAPAN 252-0231
 Phone : 81-42-776-0931 Fax : 81-42-776-0940 E-mail : sales@pcn.co.jp